

**SAFLOK 700™**  
concealed fix roofing

## THE INTERLOCKING CONCEALED –FIX PROFILE



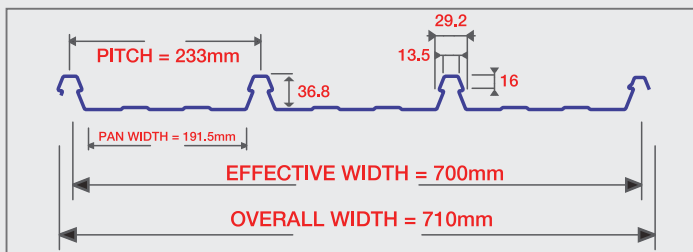
# GENERAL INFORMATION

The SAFLOCK 700® concealed fixed roofing system is an angular interlocking trapezoidal rib profile that can be rolled on site to lengths of up to 100 meters. Sheets are locked onto fixing clips and therefore not perforated. Saflok 700® is rolled in aluminium-zinc coated steel, (bare and colour coated). Saflok 700® can be curved or bull-nosed to a minimum internal radius of 500mm.

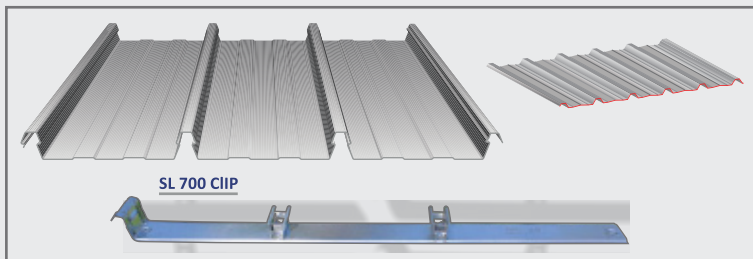
## SPECIFICATIONS

<b>MATERIALS</b>	<b>Protective Metal Coated Steel</b>	<b>Protective Metal Coated plus Pre-painted Steel</b>
	•Aluminium-Zinc coated steel (Zincal Brand)	•Pre-painted Aluminium Zinc Coated Steel (Colourplus Brand)
<b>THICKNESS</b>	-0.40mm, 0.50mm and 0.60mm Tolerance : ± 10%	
<b>LENGTHS</b>	Any length from 1.0m in 50mm steps Length to cover 1m <sup>2</sup> arear:0.986M	
<b>ALLOWABLE</b>	<b>Maximum Length:</b> Factory profiled - 12.m recommended due to transport limitations (Tolerance : +0.5%; -0%) Site profiled - Upto 100m with MRM Saflok 700®	
<b>COLOURS</b>	Tile Red, Sky Blue, Bright Blue, Light Blue, Dark Green, Fortune Green, Lagoon, Brick Red, Maroon, Brilliant White, Light Cream, Lilac Haze, Kraft Grey and Service Grey. Bottom: Backer Grey  *Special Colours or combinations of above can be supplied for quantity orders (min 1,000m <sup>2</sup> )	

### DRAWINGS



### 3-DIMENSIONAL DRAWING

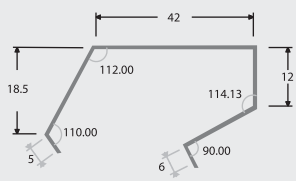
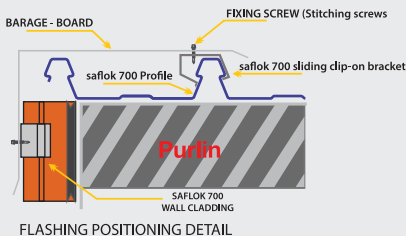


### COVERAGE CALCULATOR

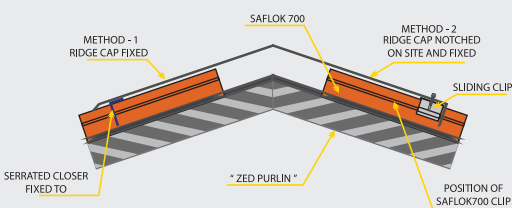
To calculate the number of sheets (N) to cover a given area. Required, use the formula:  $N = W/0.7$  Where; W is the linear width of the roof in meters and N is the number of sheets.

### SPECIALIZED FIXING ACCESSORIES

**Sliding bracket Note:** MRM recommends the use of a slider bracket for accessory fixing. This bracket is positively fixed. Care should be taken when detailing industrial-length sheeting and flashing due to thermal expansion. Please consult our technical Department for assistance.



**SLIDING BRACKET**  
LENGTH OF BRACKET EQUALS 63mm-65mm



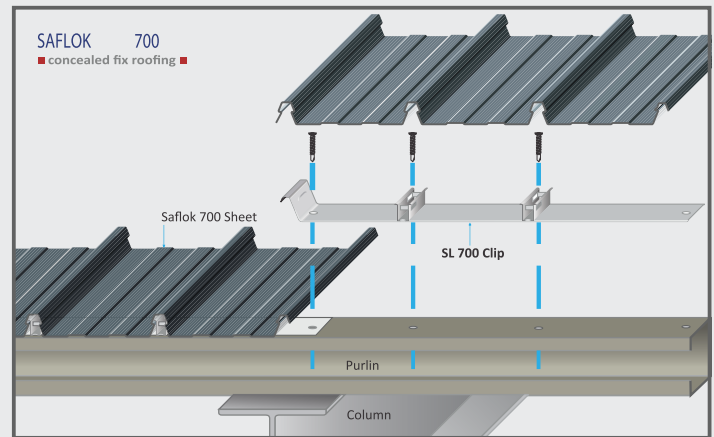
**RIDGE CAP DETAIL**

**POLYSLIDER CLIP**  
For use with saflok polycarbonate sheeting must be installed with saddle washer. Polycarbonate sheets must be positively fixed consult our technical department for advise.

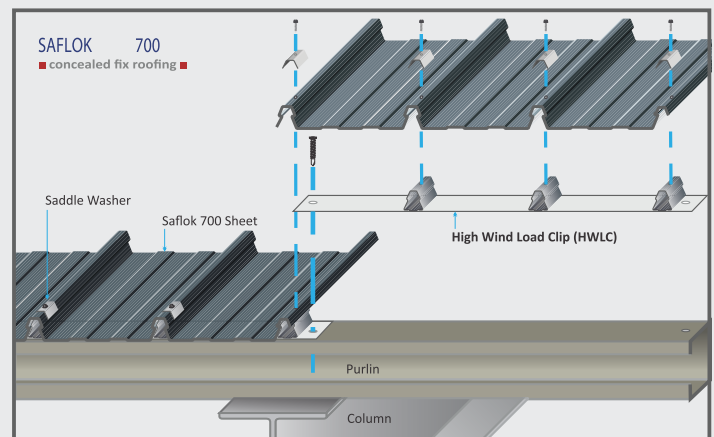
### STANDARD INSTALLATION DETAILING (WIND CATEGORY 3 & 4)

Note 1: Sheets are always laid into the prevailing weather. the first sheet is laid on the leeward (downwind) edge of the roof, with a female rib on the outermost edge.

Note 2: If using a bull-nosed sheet, bear in mind that the bull-nosing is specific to the orientation of the roof surface, and should be specified in your order e.g.: 20 Sheets L to R, 20 sheets R to L.



### HIGHT WIND LOAD INSTALLATION DETAILING (Wind category 2 and coastal wind belt)



### Going Green



Allows for water harvesting from rainwater – Once installed collection of rainwater runoff has many benefits for domestic and agricultural use.



Disposal & Recycling –Disposal if needed will be by the standard steel recycling process of recycling in a steel recovery plant into new steel products. This is simple and the greenest way to build.

Manufacturing process - majority of the water used in the manufacture of this material is recycled. Air and fume emissions comply with the environmental regulation laws.