

## PRODUCT DESCRIPTION & FEATURES

The **S-5-H90** is a one-piece clamp that was developed to securely and cost-effectively accommodate metal roof panels with a horizontal seam greater than 16.5mm. Turning the clamp 90 degrees so that the bolt hole side is facing up, slip the clamp on the seam and tighten the setscrews.

Go to [www.S-5.com/tools](http://www.S-5.com/tools) for information about properly attaching S-5!® clamps. After the clamp is installed, affix ancillary items using either of the two threaded bolt holes and bolt provided.

### S-5-H90 Mini Clamp

The S-5-H90 Mini is a bit shorter than the S-5-H90 and has one setscrew and one threaded bolt hole rather than two. The mini is the choice for attaching all kinds of rooftop accessories: signs, walkways, satellite dishes, antennas, rooftop lighting, lightning protection systems, solar arrays, exhaust stack bracing, conduit, condensate lines, mechanical equipment—just about anything!\*

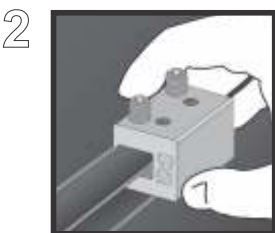
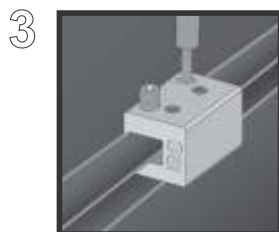
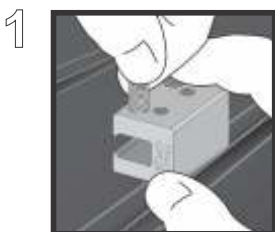
**The one-piece S-5-H90 clamp was developed to fit standing seam panels with horizontal seams.**

S-5! PV kits have an M8 bolt and are suitable for use with all S-5! clamps.

#### \*Note:

- Installation diagrams below illustrate S-5! Standard clamp
- The S-5! mini clamp is a standard stock item for Safintra South Africa. The Standard clamp is available on order, and subject to a 6-8 week delivery.

## INSTALLATION



## FEATURES

The strength of the **S-5-H90** clamp is in its simple design. The patented setscrews will slightly dimple the metal seam material but will not puncture it — leaving roof manufacturers' warranties intact.

The S-5-H90 and S-5-H90 Mini clamps are each furnished with the hardware shown overleaf. Each box also includes a bit tip for tightening setscrews using an electric screw gun. The structural aluminum attachment clamp is compatible with all common metal roofing materials excluding copper. All included hardware is stainless steel.

The S-5-H90 clamp has been tested for load-to-failure results on a variety of horizontal standing seam roof profiles from leading panel manufacturers. For design assistance, contact MRM (and see our website [www.mabati.com](http://www.mabati.com)) or visit [www.S-5.com](http://www.S-5.com) for the independent lab test data that can be used for load-critical designs and applications. Also, please visit S-5! website for more information including metallurgical compatibilities and specifications.

**EXAMPLE PROFILES**

**NEWLOK**  
standing seam roofing



Newlok profile - seamed

**S-5 WARNING!**

**Please use this product responsibly!**

S-5! Brackets and clamps are not tested for performance as part of a Fall Arrest or Personal Safety system. These applications need to be tested as a dynamic system and warranties or test results must be issued by the system provider.

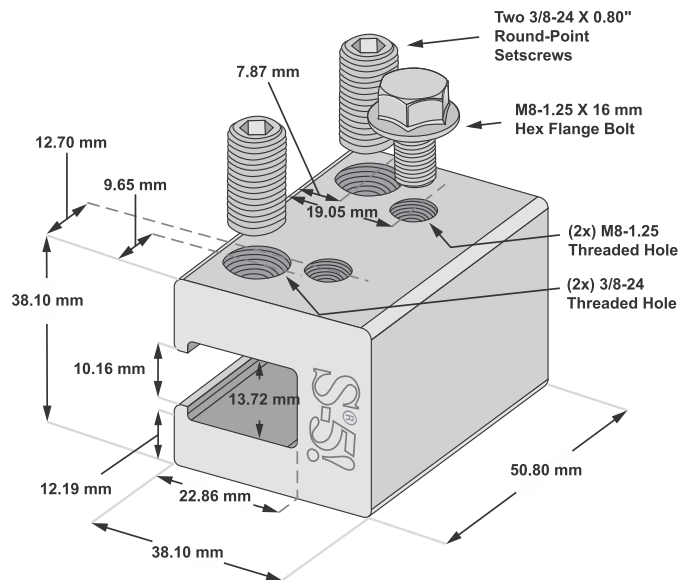
Mabati Rolling Mills, Safal Group and its subsidiaries provide no warranties or any assurances in this application, and will accept no claims of any nature whatsoever arising out of any such applications.

Products are protected by multiple international patents. For published data regarding holding strength, bolt torque, patents and trademarks visit the S-5! website at [www.S-5.com](http://www.S-5.com).

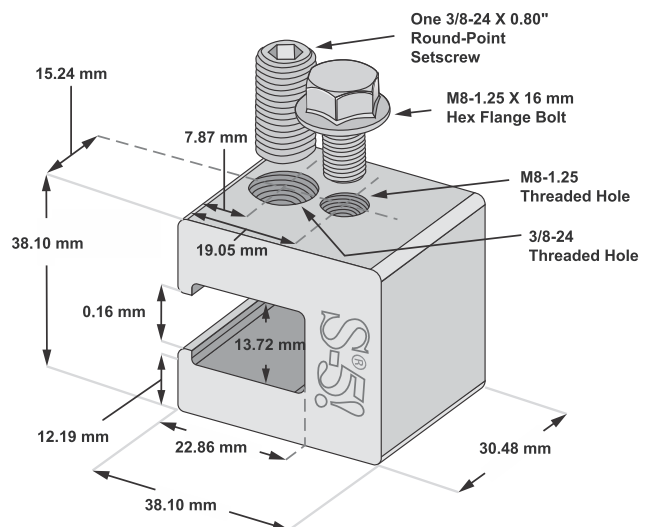
Copyright 2013, Metal Roof Innovations, Ltd. S-5! products are patent protected.

S-5! Aggressively protects its patents, trademarks and copyrights.

**S-5 H90 Standard**



**S-5 K H90 Mini**



**Please note:**  
All measurements are rounded to the second decimal place

**Disclaimer:**

- Care has been taken to ensure that the information provided is accurate. MRM does not assume responsibility for inaccuracies or misinterpretations of this data.
- MRM is continuously engaged in product development, please ensure that you have the most recent issue of information from MRM.
- Photographs and illustrations are typical examples of roofing and cladding products and applications.

## PRODUCT DESCRIPTION & FEATURES

**CorruBracket™** is compatible with 16-18mm corrugated roofing profiles. CorruBracket is affixed to the crest of the corrugation, leaving the valleys free of holes. S-5! CorruBracket comes with a factory-applied EPDM rubber gasket seal protecting against leaks.

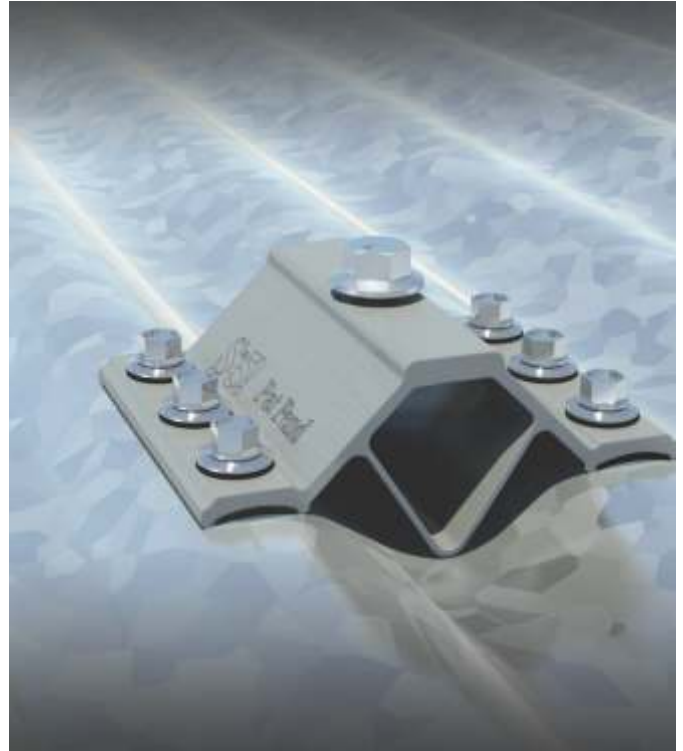
S-5! CorruBracket is mounted directly onto the crest of the corrugation, straddling the valley. No surface preparation is necessary; simply wipe away excess oil and debris, align, and apply. Secure directly into the crest of the corrugation by driving the appropriate screws into the six pre-punched holes, or pre-drilling the proper sized hole through the six pre-punched holes and riveting.

### **S-5!® CorruBracket™ Mini**

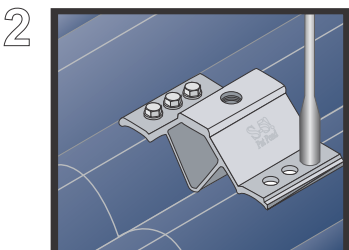
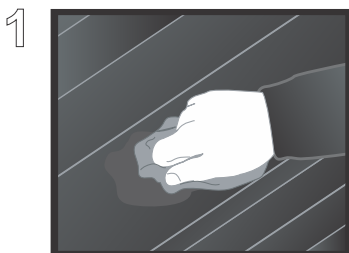
The Mini is shorter than the Standard, and has only one fastener hole on each side.

S-5! PV kits have an M8 bolt and are suitable for use with all S-5! clamps.

**S-5! CorruBracket is the right way to attach almost anything to MRM's Classicorr corrugated and all other 16-18mm corrugated sheeting.**



## INSTALLATION



## FEATURES

S-5! holding strength is unmatched in the industry.

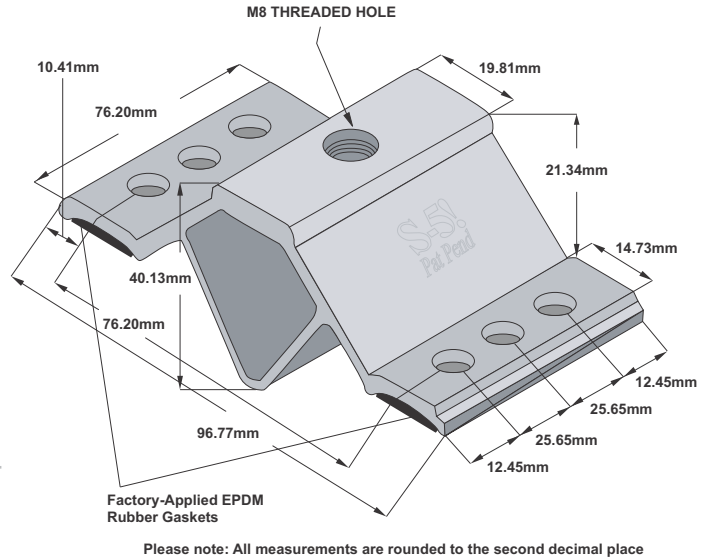
Each S-5! CorruBracket™ comes with factory-applied EPDM rubber gaskets on the base. A structural aluminum attachment bracket, CorruBracket is compatible with most common metal roofing materials.

For design assistance, contact Safintra South Africa (and see our website [www.mabati.com](http://www.mabati.com)), or visit [www.S-5.com](http://www.S-5.com) for the independent lab test data that can be used for load-critical designs and applications. Also, please visit S-5! website for more information including metallurgical compatibilities and specifications.

**EXAMPLE PROFILES**

**S-5 CorruBracket**

**Corrugated Profiles**



**S-5 WARNING!**

**Please use this product responsibly!**

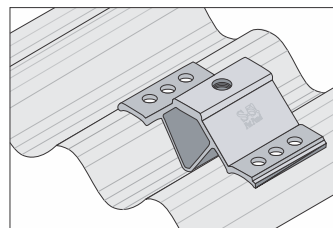
S-5! Brackets and clamps are not tested for performance as part of a Fall Arrest or Personal Safety system. These applications need to be tested as a dynamic system and warranties or test results must be issued by the system provider.

Mabati Rolling Mills, Safal Group and its subsidiaries provide no warranties or any assurances in this application, and will accept no claims of any nature whatsoever arising out of any such applications.

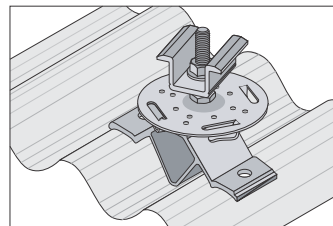
Products are protected by multiple international patents. For published data regarding holding strength, bolt torque, patents and trademarks visit the S-5! website at [www.S-5.com](http://www.S-5.com).

Copyright 2013, Metal Roof Innovations, Ltd. S-5! products are patent protected.

S-5! Aggressively protects its patents, trademarks and copyrights.



**CorruBracket™ - Standard Size**  
Note three fastener holes on each side.



**CorruBracket™ - Mini**  
with PV-Kit attachment.  
Note single fastener hole on each side.

**Disclaimer:**

- Care has been taken to ensure that the information provided is accurate. MRM does not assume responsibility for inaccuracies or misinterpretations of this data.
- MRM is continuously engaged in product development, please ensure that you have the most recent issue of information from MRM.
- Photographs and illustrations are typical examples of roofing and cladding products and applications.

## PRODUCT DESCRIPTION & FEATURES

The **S-5-K Grip™ Clamp** was specifically developed to fit Saflok® and similar bulb snap-together seams. The design utilizes multiple inserts used for a variety of bulb snap-together profiles. Each insert has a unique shape that allows for a tight fit and provides increased holding strength for that profile.

The head of the flanged bolts control the amount of compression, which reduces the possibility of over-compressing the seam.

Just place the clamp on the seam, position the insert piece, and tighten the flanged bolts at the base. Then, affix ancillary items using the top bolt provided. Go to: [www.S-5.com/tools](http://www.S-5.com/tools) for information about properly attaching S-5!® clamps.

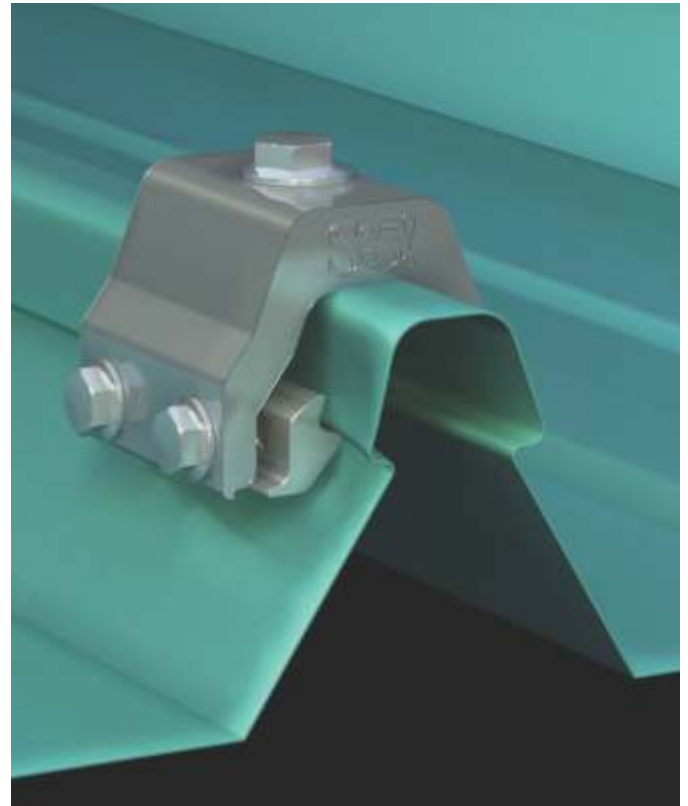
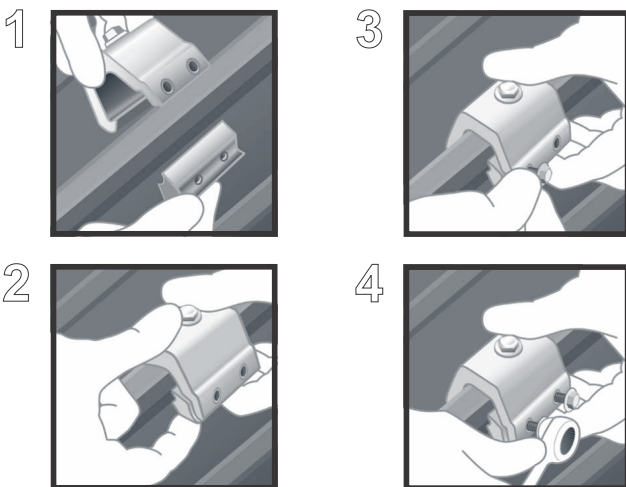
### S-5-K Grip™ Mini Clamp

The S-5-K Grip Mini is a bit shorter than the S-5-K Grip and has one base bolt rather than two. The mini is the choice for attaching all kinds of rooftop accessories: solar arrays, signs, walkways, satellite dishes, antennas, rooftop lighting, lightning protection systems, exhaust stack bracing, conduit, condensate lines, mechanical equipment—just about anything!

**S-5-K Grip™ is a non-piercing clamp. It was specifically developed to fit Saflok® and similar bulb snap-together seams, and will not void warranties on MRM concealed-fix roofing.**

S-5! PV kits have an M8 bolt and are suitable for use with all S-5! clamps.

## INSTALLATION



## FEATURES

The S-5-K Grip and S-5-K Grip Mini clamps are each furnished with the hardware shown overleaf. A structural aluminum attachment clamp, the S-5-K Grip is compatible with most common metal roofing materials excluding copper. All included hardware is stainless steel.

### S-5!® holding strength is unmatched in the industry.

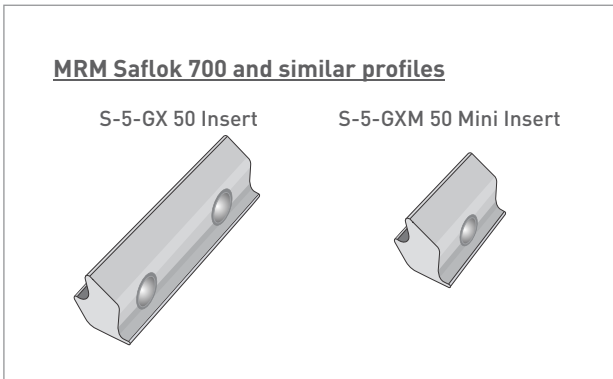
The S-5-K Grip eliminates the large moment arm and features a low mounting surface area with the mounting bolt directly over the centre of the seam, which dramatically increases the strength of the clamp.

The S-5-K Grip clamp has been tested for load-to-failure results on a variety of standing seam roof profiles from leading panel manufacturers. For design assistance, contact Mabati Rolling Mills (and see our website [www.mabati.com](http://www.mabati.com)), or visit [www.S-5.com](http://www.S-5.com) for the independent lab test data that can be used for load-critical designs and applications. Also, please visit S-5! website for more information including metallurgical compatibilities and specifications.

**EXAMPLE PROFILES**



**INSERT OPTIONS**



**S-5 WARNING!**

**Please use this product responsibly!**

S-5! Brackets and clamps are not tested for performance as part of a Fall Arrest or Personal Safety system. These applications need to be tested as a dynamic system and warranties or test results must be issued by the system provider.

Mabati Rolling Mills, Safal Group and its subsidiaries provide no warranties or any assurances in this application, and will accept no claims of any nature whatsoever arising out of any such applications.

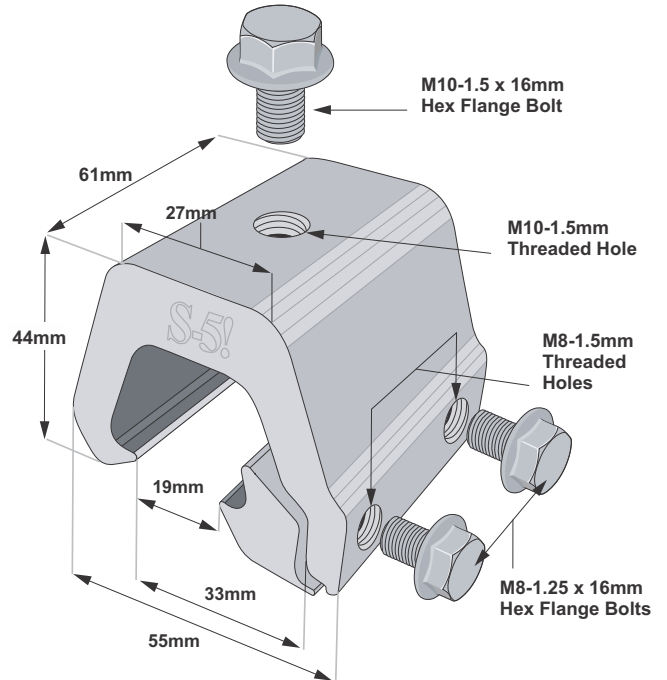
Products are protected by multiple international patents. For published data regarding holding strength, bolt torque, patents and trademarks visit the S-5! website at [www.S-5.com](http://www.S-5.com).

Copyright 2013, Metal Roof Innovations, Ltd. S-5! products are patent protected.  
S-5! Aggressively protects its patents, trademarks and copyrights.

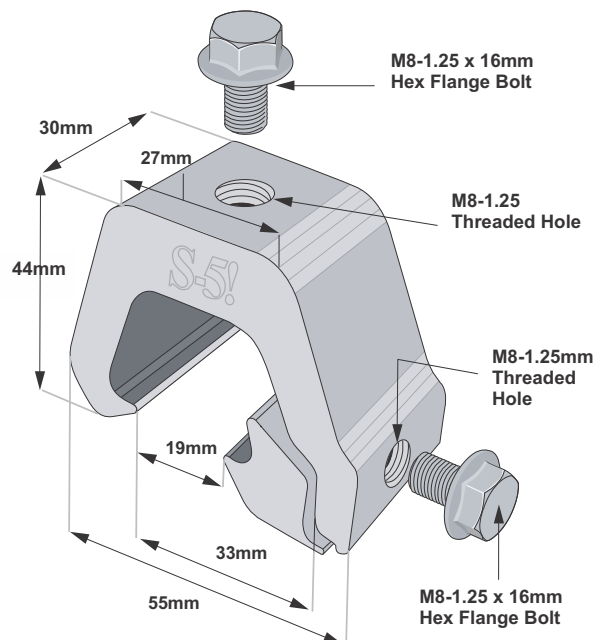
**Disclaimer:**

- Care has been taken to ensure that the information provided is accurate. MRM does not assume responsibility for inaccuracies or misinterpretations of this data.
- MRM is continuously engaged in product development, please ensure that you have the most recent issue of information from MRM.
- Photographs and illustrations are typical examples of roofing and cladding products and applications.

**S-5 K GRIP**



**S-5 K GRIP MINI**



Please note:  
All measurements are rounded to the second decimal place

## PRODUCT DESCRIPTION & FEATURES

**TrapBracket™** can be used to mount MRM's Tufdek IBR, Widedek and most other similar exposed-fastened trapezoidal roof profiles.

The TrapBracket comes with a factory-applied EPDM rubber gasket seal already on the base, and the S-5!® patented reservoir conceals the EPDM from UV exposure, preventing drying and cracks.

The TrapBracket is mounted directly onto the crown of the panel, straddling the profile. No surface preparation is necessary; simply wipe away excess oil and debris, align and apply. Secure through the pre-punched holes using the appropriate S-5! fasteners.

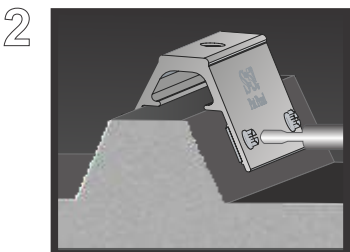
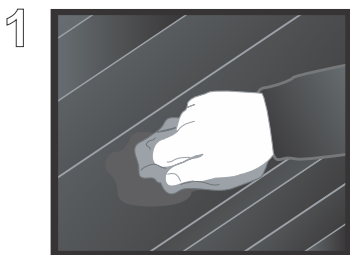
TrapBracket is the perfect match for the S-5-PV Kit, and facilitates quick and easy installation.

S-5! PV kits have an M8 bolt and are suitable for use with all S-5! clamps.

**S-5!® TrapBracket™ is the right way to attach almost anything to exposed-fastened trapezoidal roof profiles.**



## INSTALLATION



## FEATURES

**S-5! holding strength is unmatched in the industry.**

Each TrapBracket™ comes with a factory-applied EPDM rubber gasket on the base. All pre-punched holes must be used to achieve tested strength.

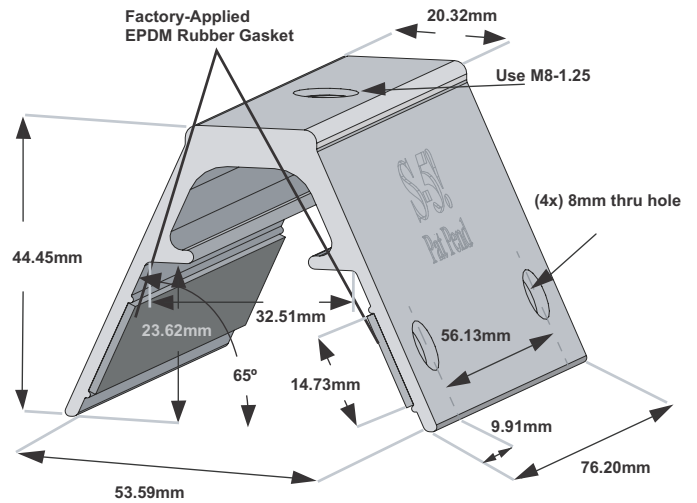
**TrapBracket™ is the perfect attachment solution for most trapezoidal exposed-fastened metal roofs! It can be used for almost any attachment need. No messy sealants to apply: the factory-applied EPDM rubber gasket weather-proofs and makes installation easy.**

For design assistance, contact Safintra South Africa (and see our website [www.mabati.com](http://www.mabati.com)), or visit [www.S-5.com](http://www.S-5.com) for the independent lab test data that can be used for load-critical designs and applications. Also, please visit S-5! website for more information including metallurgical compatibilities and specifications.

EXAMPLE PROFILES



S-5 TrapBracket



Please note: All measurements are rounded to the second decimal place.

S-5 WARNING!

Please use this product responsibly!

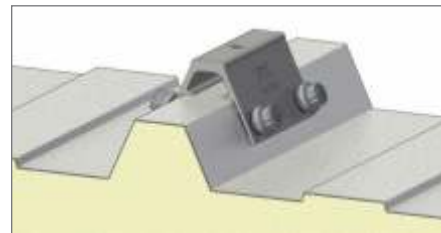
S-5! Brackets and clamps are not tested for performance as part of a Fall Arrest or Personal Safety system. These applications need to be tested as a dynamic system and warranties or test results must be issued by the system provider.

Mabati Rolling Mills, Safal Group and its subsidiaries provide no warranties or any assurances in this application, and will accept no claims of any nature whatsoever arising out of any such applications.

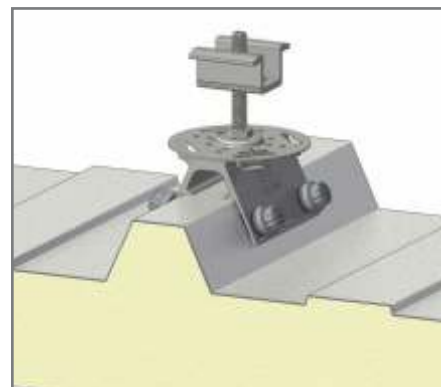
Products are protected by multiple international patents. For published data regarding holding strength, bolt torque, patents and trademarks visit the S-5! website at [www.S-5.com](http://www.S-5.com).

Copyright 2013, Metal Roof Innovations, Ltd. S-5! products are patent protected.

S-5! Aggressively protects its patents, trademarks and copyrights.



All 4 punched holes must be used to achieve tested strength.



The above illustration demonstrates the TrapBracket with the S-5-PV Kit attached.

Disclaimer:

- Care has been taken to ensure that the information provided is accurate. MRM does not assume responsibility for inaccuracies or misinterpretations of this data.
- MRM is continuously engaged in product development, please ensure that you have the most recent issue of information from MRM.
- Photographs and illustrations are typical examples of roofing and cladding products and applications.



### PRODUCT DESCRIPTION

The concept of combining photovoltaic arrays with standing seam metal roofing is growing— and for good reason. A standing seam metal roof has a life expectancy consistent with that of framed PV modules. A 30-year power source on a 40-year roof, along with zero-penetration technology, creates the most sustainable roof system for alternative power generation.

The S-5-PV Kit features a stainless steel mounting disk with twelve nodes designed to ensure the module-to-module conductivity of anodized aluminum module frames. This means the module is simply anchored with the kit and is automatically bonded. No lugs or wire are required except to connect one string of modules to another and to ground the system. This results in significant savings in installation time and materials, sufficient to pay for the entire S-5-PV Kit and clamp setup.

S-5! PV kits have an M8 bolt and are suitable for use with all S-5! clamps.



Listed to UL subject 2703.  
ETL Listed to UL 1703.\*

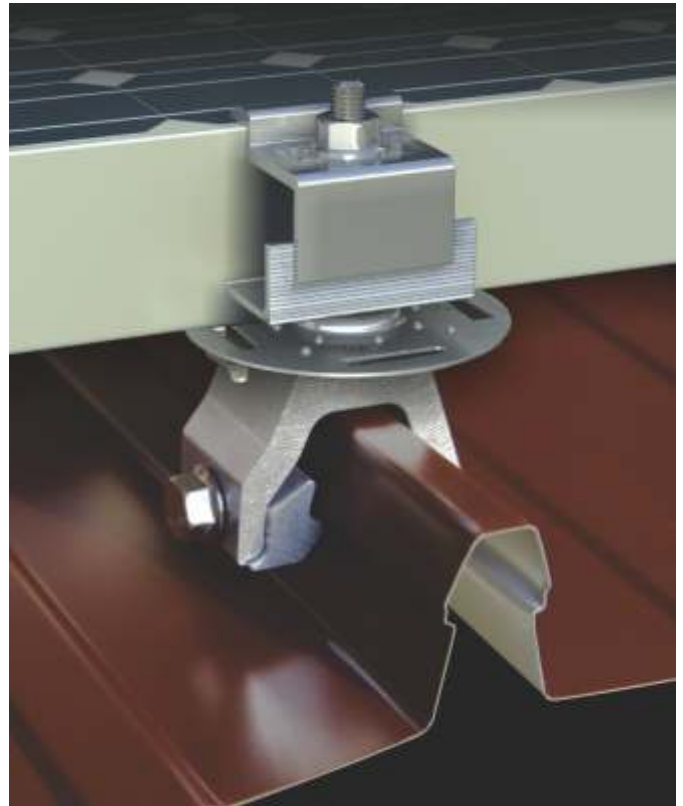
### FEATURES

The S-5-PV Kit continues to be the easiest, most cost-effective way to install solar panels directly to standing seam metal roofs, remaining the most popular choice worldwide.

The embossed panel guide makes the module placement easier. The mounting disk is multi directional and rails are not required.

Four strategically placed under-disk hooks assist in wire management. The PV grab ears that hold the solar panel in place are broader to allow for ease of installation and precise module engagement.

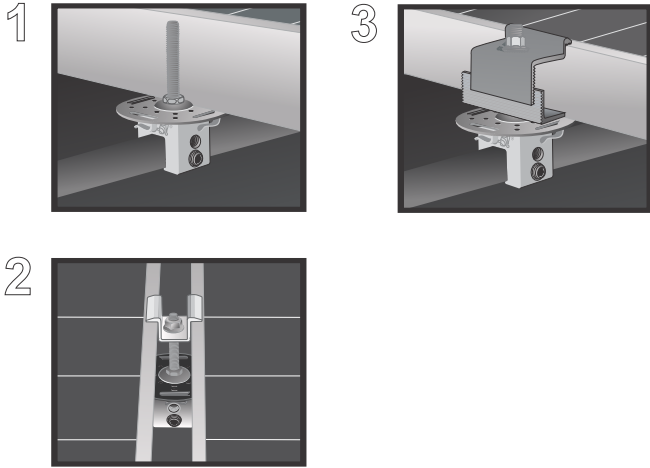
Accommodating module thicknesses between 30 and 51mm, the S-5-PV Kit fits the majority of solar panels on the market. Using the S-5! mini clamps, it fits most standing seam metal roofs. When paired with other S-5! products, the S-5-PV Kit and EdgeGrab will also work on most exposed-fastened metal roofs. The standard grab is designed to fit field conditions (two adjacent panels), while the EdgeGrab is designed specifically for end conditions.



Wind dynamics are complex; thus, each system should be reviewed by a qualified licensed professional who understands wind effects on metal roof design and construction prior to purchase and installation. For more detailed information including specifications, installation instructions, and CAD drawings, visit [www.S-5.com](http://www.S-5.com) or MRM, [www.mabati.com](http://www.mabati.com)

The S-5-PV Kit is furnished with the hardware shown at right, excluding the attachment clamp, which is supplied separately. The S-5-PV Kit is compatible with most common metal roofing materials, including brass. The S-5!® EdgeGrab™ and S-5-PV Kit together accommodate PV frame thicknesses 30–48 mm (if the L-flange is positioned below the stud's hex nut) and 34–51 mm (if the L-flange is positioned above the stud's hex nut).\*

**INSTALLATION**



**S-5 WARNING!**

**Please use this product responsibly!**

S-5! Brackets and clamps are not tested for performance as part of a Fall Arrest or Personal Safety system. These applications need to be tested as a dynamic system and warranties or test results must be issued by the system provider.

Mabati Rolling Mills, Safal Group and its subsidiaries provide no warranties or any assurances in this application, and will accept no claims of any nature whatsoever arising out of any such applications.

Products are protected by multiple international patents. For published data regarding holding strength, bolt torque, patents and trademarks visit the S-5! website at [www.S-5.com](http://www.S-5.com).

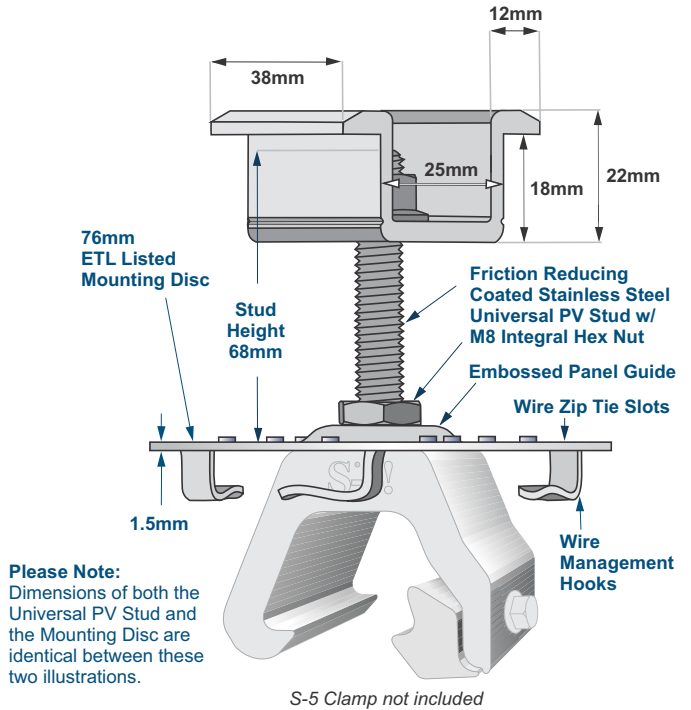
Copyright 2013, Metal Roof Innovations, Ltd. S-5! products are patent protected.

S-5! Aggressively protects its patents, trademarks and copyrights.

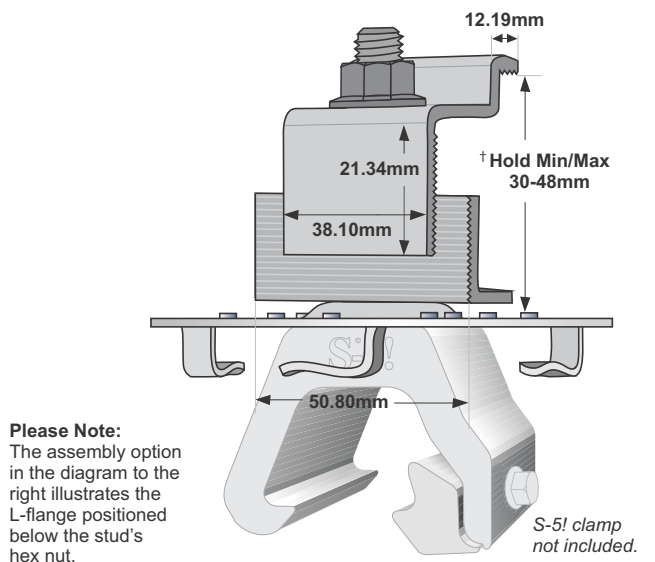
**Disclaimer:**

- Care has been taken to ensure that the information provided is accurate. MRM does not assume responsibility for inaccuracies or misinterpretations of this data.
- MRM is continuously engaged in product development, please ensure that you have the most recent issue of information from MRM.
- Photographs and illustrations are typical examples of roofing and cladding products and applications.

**S-5 PV Kit with Mid-Grab**



**S-5 PV Kit with Edge-Grab**



**Please note: All measurements are rounded to the second decimal place**

*\* Patents pending.*

*Due to the variety of attachment needs, S-5-PV Kits are sold separately from S-5! mini clamps.*